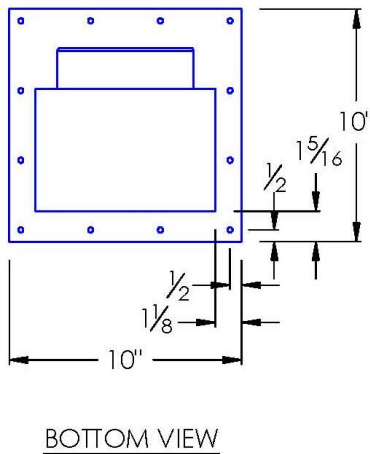
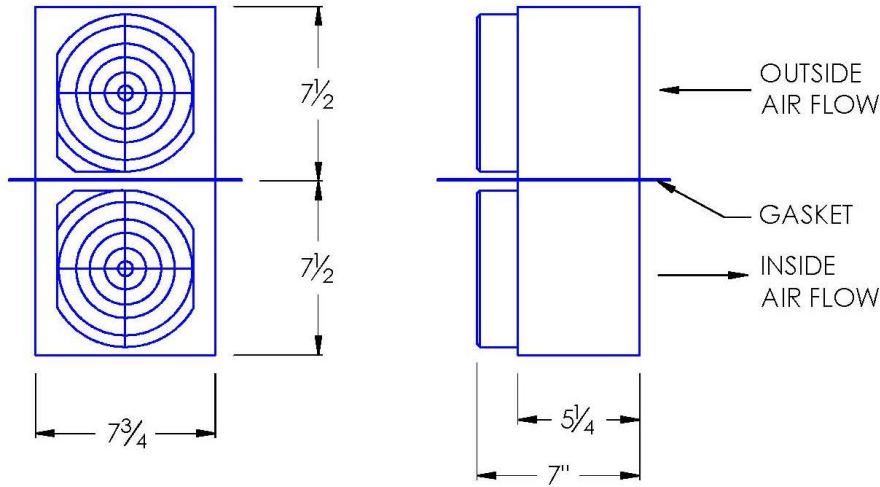


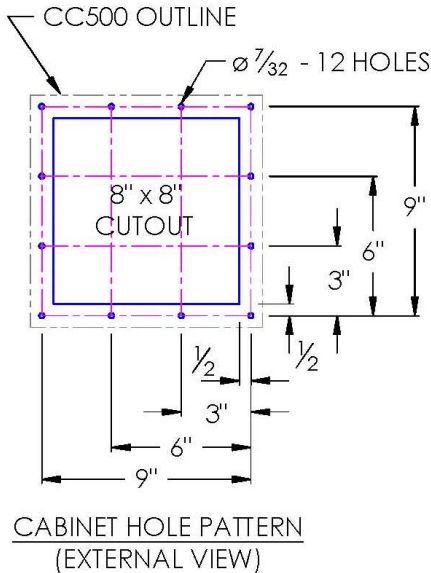
CC500 TYPE 12 COMPACT CABINET COOLER AIR-TO-AIR DROP-IN MODEL

Model	Weight	Rating @ 20°C ΔT BTU / hr	Amps Current Draw at 115 volts AC	Fan Size	Dimensions-Inches (H x W x D)
CC500	11 lbs	2,400	0.6	2 x 6"	15 x 7-3/4 x 7

Efficiency: 35.2 Watts / °C ΔT based on average internal cabinet temperature.



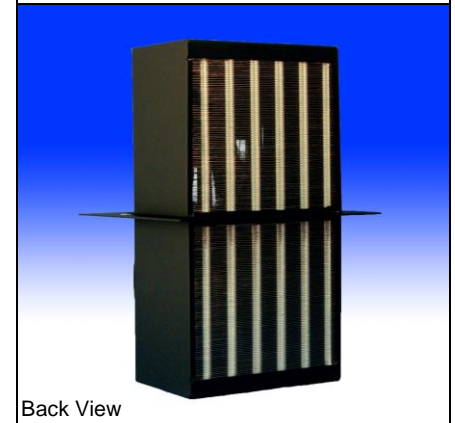
BOTTOM VIEW



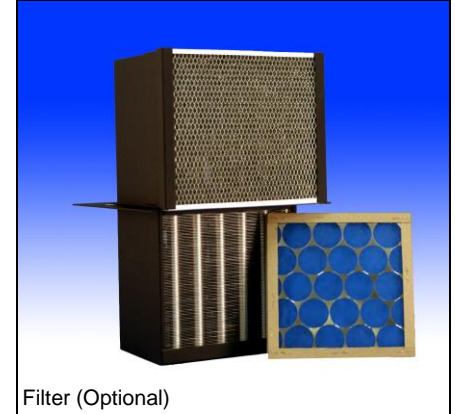
CABINET HOLE PATTERN
(EXTERNAL VIEW)



Front View



Back View



Filter (Optional)

SPECIFICATIONS

1. UL Listed for TYPE 12 environments.
2. CC500 Rated cooling: 704 Watts at 20°C ΔT (35.2 W/°C, mounted to an uninsulated 72" X 36" X 24" Cabinet)
3. Extends 7-1/2" into cabinet.
4. Housing is aluminum (color is black). Stainless steel is available.
5. Equipped with mounting gasket to maintain air tight seal.
6. Internal 6-ft. power cord with 3-prong plug is standard for AC powered units.
7. Available with VAC (115 & 230) and VDC (12, 24, & 48) fans. DC powered units include junction box, consult website.
8. Unit may be mounted vertically (as shown) or horizontally.
9. Optional: inlet air-filter kit available upon request.
10. For design, quote, and sizing assistance: call (866) 936-6736.

Subject to change without notice.



Proudly made in USA



ISO 9001:2008
FM 554949

NOREN 1010 O'Brien Drive
Menlo Park, CA 94025
650.322.9500
norenproducts.com

CC500 TYPE 12

CCS-PBD-7.2.2-883358-B