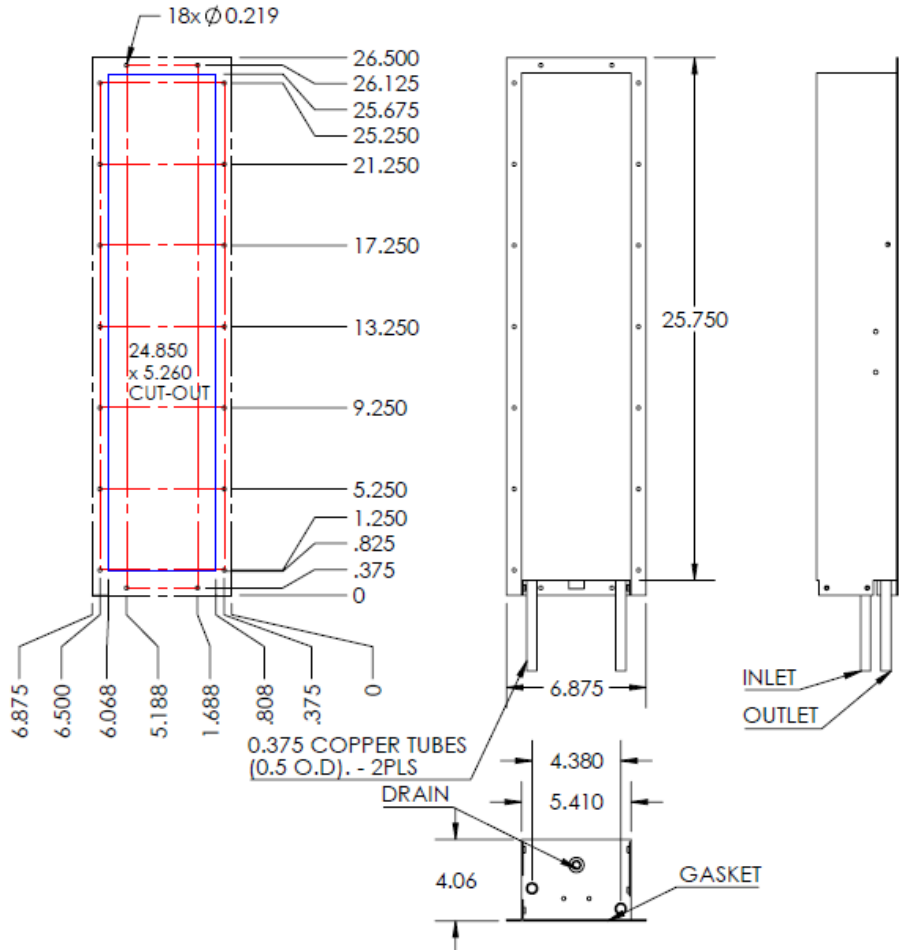


**CC2067PHL-WL-IP66, xxx**  
**COMPACT CABINET COOLER**  
**AIR-TO-WATER FLUSH-MOUNT MODEL**  
**HAZARDOUS LOCATION CLASS I, ZONE 2 (ATEX/IECEx)**

Model	Weight	Rating @ 20°C ΔT BTU / hr	Amps Current Draw at 115 volts AC	Fan Size	Dimensions-Inches (H x W x D)
CC2067HL	12 lbs	3,350	0.2	1 x 4"	26-1/2 x 6-7/8 x 4

Efficiency: 24.5 Watts / °C ΔT based on average internal cabinet temperature.  
ATEX/IECEx Certificate Reference: **DEMKO 15 ATEX 1403. IECEx UL 15.0081 X**



**SPECIFICATIONS**

- ATEX/IECEx certified for hazardous locations Class I, Zone 2 environments.
- CC2067 Rated cooling: 982 Watts mounted to an uninsulated 72" x 36" x 24" Cabinet with 1 GPM of water at 20 °C, 40°C ambient air and 60°C cabinet air temperature.
- Designed for surface mounting on outside of cabinet.
- Housing is Stainless Steel (TYPE 316 14 GAUGE).
- External water inlet and outlet connections.
- Equipped with mounting gasket to maintain air tight seal.
- Pressure tested to assure water tight seal.
- Available with AC (115 & 230V) and DC (12, 24 & 48V).
- Vertical mounting only.
- Coolant water pressure: Pressure tested to 100 psi. Safe working pressure is 60 psi.
- Recommended coolant flow rate (gallons per minute): 1 GPM
- Optional: inlet air-filter kit available upon request.
- ATEX/IECEx Standards: 60079-0, 6th Ed. + Corr. 1:2012 + Corr. 2:2013, IEC 60079-15, 4th Ed., CENELEC EN 60079-0:2012 + A11:2013 and CENELEC EN 60079-15:2010
- 14. For design, quote, and sizing assistance: call (866) 936-6736.**

Subject to change without notice.



**NOREN**  
THE THERMAL MANAGEMENT EXPERTS

Noren Products, Inc.  
1010 O'Brien Drive  
Menlo Park, CA 94025  
(650) 322 - 9500  
www.norenproducts.com

**CC2067PHL-WL-IP66, xxx**

UL-PBD-7.2.2-200006-C